

# DIGITRON SEMICONDUCTORS

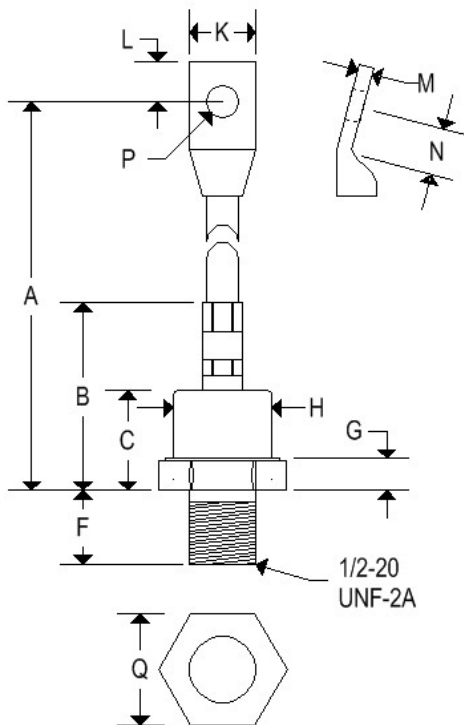
## MECHANICAL CASE OUTLINE PACKAGE DIMENSIONS

DATE 29 DEC 2017

### CASE DO-30

STUD

<b>CASE</b>	HERMETICALLY SEALED METAL
<b>MARKING</b>	ALPHA NUMERIC
<b>POLARITY</b>	CATHODE IS STUD (CASE)
<b>WEIGHT</b>	85.729 GRAMS (APPROXIMATE)



	DO-30			
	Inches		Millimeters	
	Min	Max	Min	Max
A	4.375	4.625	111.13	117.47
B	-	1.625	-	41.270
C	0.875	0.960	22.230	24.380
F	0.610	0.640	15.500	16.250
G	0.327	0.347	8.310	8.810
H	0.900	0.910	22.860	23.110
K	0.500	0.600	12.700	15.240
L	0.297	0.327	7.550	8.300
M	0.070	0.100	1.780	2.540
N	0.350	0.410	8.900	10.410
P	0.271	0.291	6.890	7.390
Q	1.050	1.060	26.670	26.920

This drawing is for reference only. Please refer to Digitron's published datasheet.